

MS9540 Voyager^{cc} is an advanced single line laser bar code scanner with automatic activation and sophisticated data transmission via Metrologic's proprietary CodeGate technology.



WARRANTY

MS9540 Voyager^{cc}™

Voyager with CodeGate

A better way to scan...

Features

- Automatic trigger with CodeGate®
- PowerLink, user-replaceable cables
- Adjustable stand
- Firmware updates via Flash ROM
- Custom edit the bar code data
- Short-range and long-range activation
- Easy programming using Windows® software or bar codes
- Supports commonly used interfaces, including USB
- OPOS system compatible

Metrologic's MS9540

Voyager^{cc}™ offers high performance scanning, a futuristic design and a more intuitive scanning system than other conventional, triggered scanners.

The MS9540 Voyager^{cc} was designed to replace triggered scanners. In doing so, Metrologic's engineering department incorporated a feature called CodeGate that makes the MS9540 more intuitive to use than a triggered scanner. Using Metrologic's patented auto-trigger, the laser is automatically activated when a bar code is presented, allowing the user to easily select the bar code. Then with a press of the CodeGate but-

ton, the data is transmitted to the host system. This unique concept makes Voyager^{cc} perfect for menu-scanning. When the MS9540 is placed in its stand, CodeGate is automatically deactivated allowing Voyager^{cc} to be used as a fully automatic presentation scanner.

The MS9540 Voyager^{cc} is equipped with many standard features such as Flash ROM, data editing, and PowerLink user-replaceable cables.

Metrologic is now backing the MS9540 Voyager^{cc} with a standard 5-year warranty making it the scanner of choice for retail point-of-sale, menu-scanning and commercial/warehouse applications.

VIC COMPUTER (HK) CO., LTD.
域士電腦(香港)有限公司

Tel: (852) 2725 1612
Fax: (852) 2725 0766
Email: Sales@VIC.HK
http://VIC.HK



MS9540 VoyagerCG™

The CodeGate® Advantage

OPERATIONAL

Light Source	Visible Laser Diode 650 nm ± 10 nm
Laser Power	0.96 mW (peak)
Depth of Scan Field (programmable)	0 mm - 203 mm (0" - 8") for 0.33 mm (13 mil) bar codes
Width of Scan Field	64 mm (2.5") @ face; 249 mm (9.8") @ 203 mm (8.0")
Scan Speed	72 ± 2 scan lines per second
Scan Pattern	Single scan line
Minimum Bar Width	0.127 mm (5.0 mil)
Decode Capability	Autodiscriminates all standard bar codes; for other symbologies call Metrologic
System Interfaces	PC Keyboard Wedge, RS232, OCIA, Light Pen Emulation, IBM 468X/469X, Stand Alone Keyboard, USB
Print Contrast	35% minimum reflectance difference
Number Characters Read	Up to 80 data characters
Roll, Pitch, Yaw	42°, 68°, 52°
Beeper Operation	7 tones or no beep
Indicators (LED)	Green = laser on, ready to scan Red = good read

MECHANICAL

Height	198 mm (7.8")
Depth	40 mm (1.6")
Width - Handle	80 mm (3.1")
Width - Head	102 mm (4.0")
Weight	149 g (5.25 oz)
Termination	10 pin modular RJ45
Cable	Standard 2.7 m (9') coiled; optional 2.1 m (7') straight;

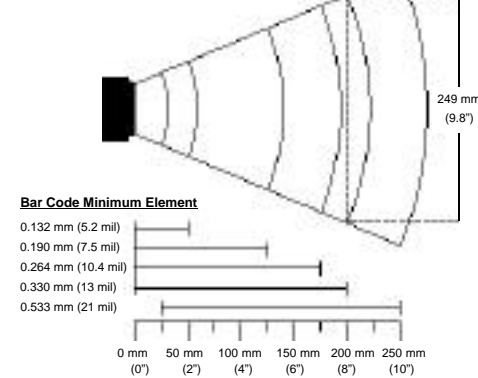
ELECTRICAL

Input Voltage	5 VDC ± 0.25 V
Power - Operating	575 mW
Power - Standby	225 mW
Current - Operating	115 mA typical @ 5 VDC
Current - Standby	45 mA typical @ 5 VDC
DC Transformers	Class 2; 5.2 VDC @ 650 mA
Laser Class	CDRH: Class II; EN60825-1:1994/A11:1996 Class 1
EMC	FCC, ICES-003 & EN55022 Class B

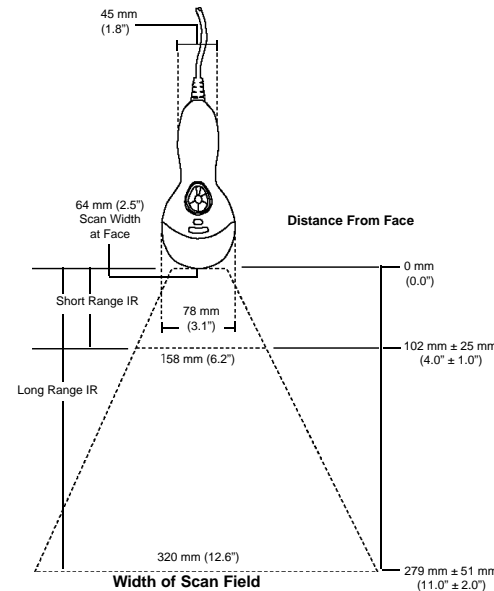
ENVIRONMENTAL

Operating Temperature	0°C to 40°C (32°F to 104°F)
Storage Temperature	-40°C to 60°C (-40°F to 140°F)
Humidity	5% to 95% relative humidity, non-condensing
Light Levels	Up to 4842 Lux (450 footcandles)
Shock	Designed to withstand 1.5 m (5') drops
Contaminants	Sealed to resist airborne particulate contaminants
Ventilation	None required

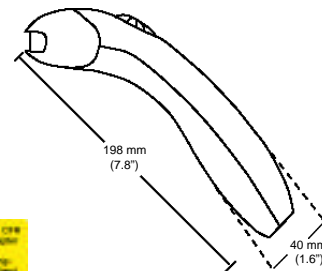
Scan Area



IR Activation and Scan Width



Dimensions



Specifications subject to change without notice.
Printed U.S.A., Copyright June 2001
Metrologic, All rights reserved.



DS9540

Menu Scanning



- Auto-Trigger activates the laser
- High-Visibility laser line helps you choose



- Pick the bar code you want
- Press the CodeGate button
- Eliminates incorrect scans

Two Modes of Operation

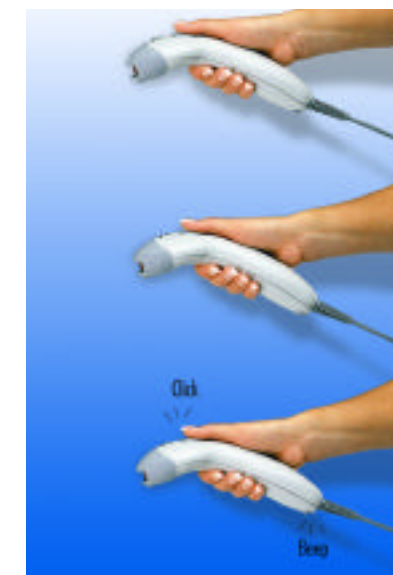


- Auto-Trigger while in the stand
- Bar code is automatically decoded and transmitted



- CodeGate activates when removed from the stand
- Bar code data is transmitted when the CodeGate button is pressed

CodeGate Gives You Control



- Auto trigger activates the laser
- Place the laser line on the bar code
- Press the CodeGate button to transmit the data



www.metrologic.com

USA
Tel. 1.800.ID.METRO
info@metrologic.com

Asia
Tel. 65.842.7155
info@sg.metrologic.com

AOA (only)
Tel. 1.617.806.1400
info@aoa.metrologic.com

China (only)
Tel. 86.512.2572511
info@cn.metrologic.com

South America
Tel. 5511.5505.6568
info@sa.metrologic.com

Japan (only)
Tel. 81.03.3839.8511
info@jp.metrologic.com

Brazil (only)
Tel. 5511.5505.2396
info@br.metrologic.com

Europe
Tel. 49.89.89019.0
info@europe.metrologic.com

Metrologic Instruments, Inc. | 90 Coles Road | Blackwood, NJ 08012-4683
Telephone 856-228-8100 or 1-800-ID-METRO | Fax 856-228-6673